



creating advantage
for your success

A large graphic of a globe with a network overlay. The globe is light blue and shows the outlines of continents. Overlaid on the globe is a network of white dots connected by thin white lines, representing a global network or data flow. The globe is partially framed by a large red curved shape on the right side.

Your Trusted
Business
Enhancement
Solutions Partner

Table Of Contents

ABOUT US	4
OUR STRATEGY	8
OUR SOLUTIONS AND SERVICES	10
OUR PRODUCTS	15
WHY SLS	20
OUR LOCATIONS	27

Better. Faster. Smarter. Safer.

Your money, time and success rest on continued reliability. That's why we are dedicated to keeping your assets running at peak performance.



About Us

At SLS, we understand the importance of maintaining reliable and high-performing assets.

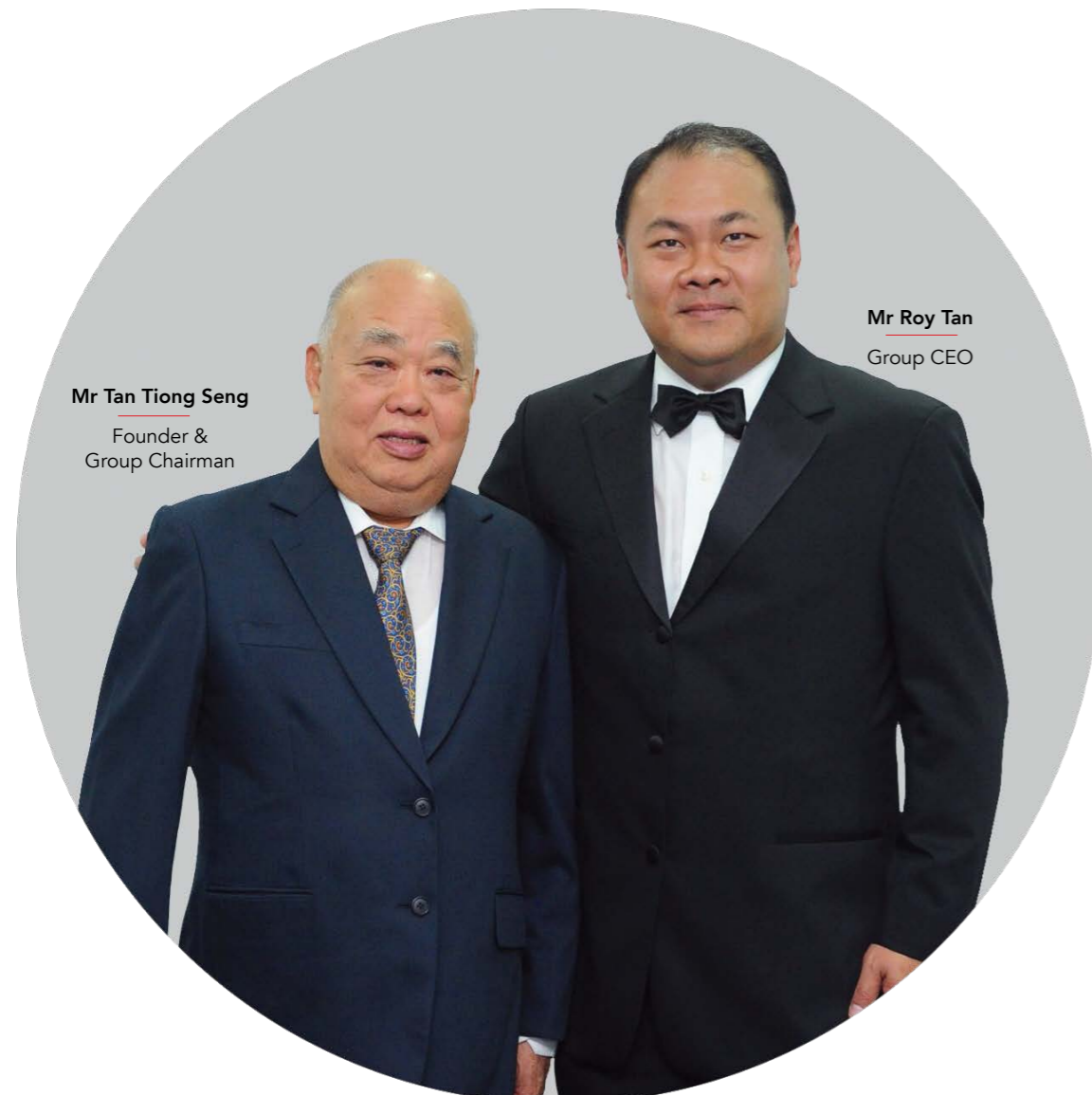
We keep your business moving forward

Headquartered in Singapore, SLS offers end-to-end business enhancement solutions that enable organisations to drive optimal performance by improving operational reliability.

Established since 1963, we have built long-standing relationships with our key trusted partners. This has equipped us with the capability to offer you a wide range of mechanical systems and components, including bearings, power transmission and related products. We get what you need to you

as quickly as possible so you can minimise downtime.

Over the decades, we have developed the engineering expertise and technical capabilities to help you achieve operational excellence, cost effectiveness and safety compliance. Through our reliability optimisation and predictive maintenance services, you can count on us to extend the longevity of your business-critical assets so you can save costs and enhance profitability.



Mr Tan Tiong Seng
Founder &
Group Chairman

Mr Roy Tan
Group CEO

Our Vision

As a leader in business enhancement solutions, we are driven by passion and creativity to bring value to our customers by driving performance and improving reliability.

Our Mission

We create a competitive advantage for our customers and partners by providing quality mechanical systems, components and solutions, leveraging on our extensive strategic network and people excellence.

Our Values



Commitment

We are passionate about what we do. We aim to make a difference to our customers by being proactive in finding solutions to meet their goals.



Customer-Driven

We put our customers at the center of our business strategy and consistently strive to exceed their expectations.



Excellence

We harness innovation to deliver sustainable improvement for our customers. We contribute to industry expertise and encourage knowledge sharing and the exchange of ideas amongst our people.



Quality

We take pride in providing quality products and delivering prompt and reliable services to our customers. We seek to collaborate with partners who also share our high standards.



Teamwork

Driven by common goals, we act and move forward as one. By sharing information and skills, we are inclusive in our thoughts and actions.

Milestones

Over 50 years of success built on knowledge, passion and people excellence

The guiding philosophy of SLS' growth over the years can be traced to Founder, Mr Tan Tiong Seng's steadfast principles.

"As long as a businessman has integrity, always acts within his means and is not driven only by profits, he stands the highest chance of succeeding, be it in good or bad times. A company that helps others to succeed will also achieve success."

1963



- Sin Leong Seng (SLS), a sole proprietorship offering bearings, is founded by Mr Tan Tiong Seng

1970s



- Sin Leong Seng is incorporated as SLS Bearings (S) Pte Ltd



- SLS Bearings (M) Sdn Bhd is established in Kuala Lumpur, West Malaysia



- SLS (Johor Bahru) Sdn Bhd is established in Johor, West Malaysia



- Subsidiaries Central Engineering Pte Ltd and Poh Leong Tractors Pte Ltd are established

1980s



- Appointed SKF distributor in Singapore



- SLS branches are established in Kuantan, Prai, Ipoh and Klang in West Malaysia



- Benoi Warehouse is acquired in Jurong, Singapore



- SLS Bolts and Nuts is established in West Malaysia

2010s



- SLS Mongolia is established



- Moved to new headquarters in Tuas, Singapore with state-of-the-art facilities



- SLS Academy and SLSPro are established



- SLS Harbin is established in China



- Celebrated 50th anniversary and embarked on a rebranding initiative

- SLS Bearings (S) Pte Ltd is conferred the Singapore Quality Class (SQC) with People and Service, a Business Excellence certification by Enterprise Singapore

- SLS Bearings (S) Pte Ltd is awarded bizSAFE Level 3 Status by the Workplace, Safety and Health (WSH) Council

- SLS Bearings (S) Pte Ltd is accredited as a Singapore 1000 company



2000s



- SLS Chengdu and Shenyang are established in China



- SLS branches are established in Kelantan and Segamat in West Malaysia



- SLS branches are established in Lahad Datu, Bintulu, Sibul and Miri in East Malaysia



- SLS Bearings (S) Pte Ltd is awarded the People Developer Standard by Spring Singapore

1990s



- PT SLS branches are established in Indonesia



- Automated warehousing facilities are built in Tuas, Singapore and Petaling Jaya, West Malaysia



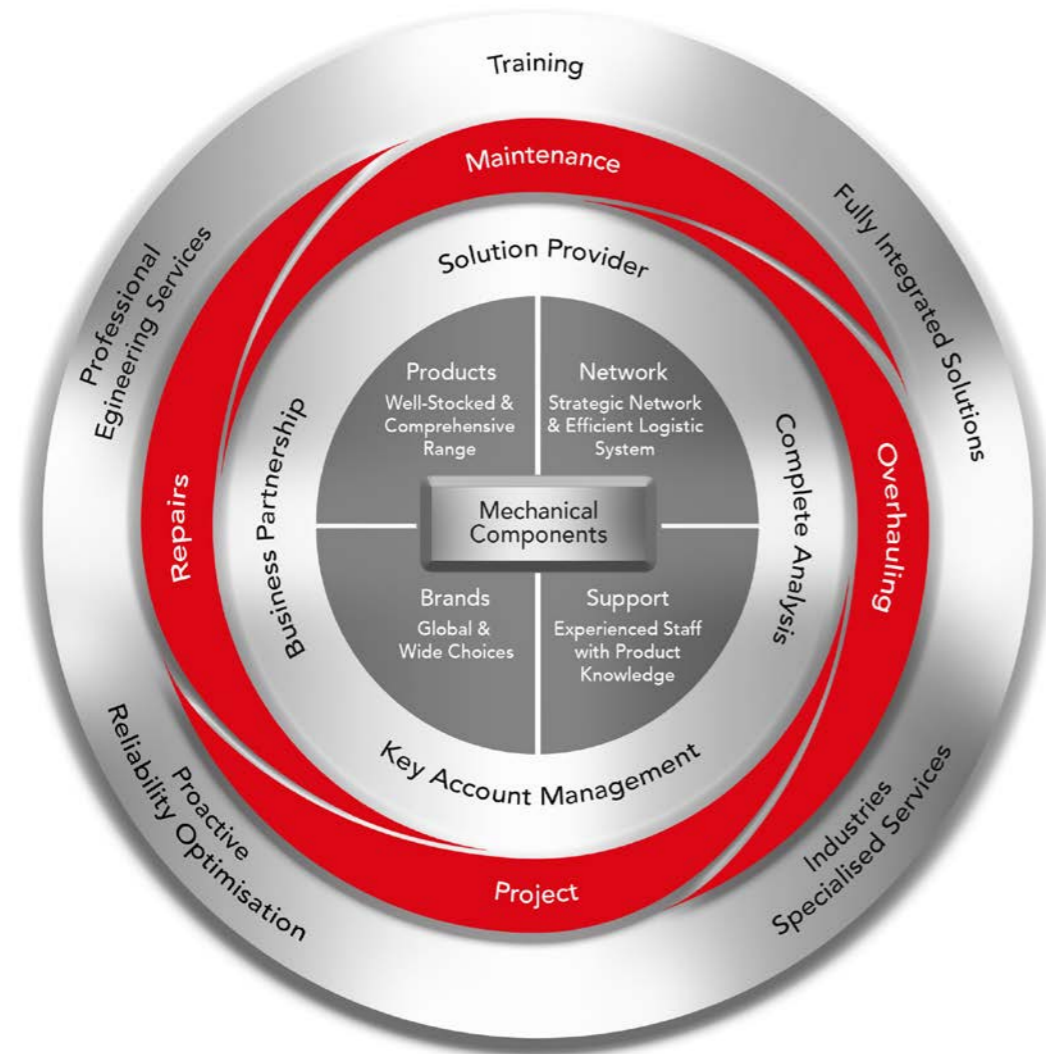
- SLS branches are established in Sabah and Sarawak, East Malaysia



- SLS branches are established in Alor Setar, Malacca, Petaling Jaya and Klang in West Malaysia

Our Strategy

Business Model



SLSpro

SLS

SLSACADEMY

Singapore • Malaysia • Indonesia • China • Mongolia

In 2013, **SLS** embarked on a rebranding initiative. Our new brand identity as a fully integrated business enhancement solutions provider promises to create advantage for your success.

SLS Pro was created to offer fully-integrated **P**roactive, **R**eliability and **O**ptimisation maintenance solutions to our customers. These specialised services are supported by a team of experienced engineers and technical personnel.

SLS Academy, an initiative for people excellence, was set up to provide in-house workshops and hands-on training to our employees and customers on product and industry know-how, skills and applications.

Business Approach

Convenient and available

The distribution of mechanical components is at the core of our business. Our wide product range is supported by a team of in-house product specialists and service engineers, as well as an efficient logistics system and extensive network. Our prompt response time minimises your downtime.

Partnering for success

We work hand in hand with you to boost your competitive advantage. As part of our Key Account Management initiatives, we analyse your equipment, processes and needs so that we can tailor solutions to help you reduce downtime, increase equipment uptime, optimise inventory and maximise asset efficiency.

Optimising your critical assets

Focusing on asset-intensive companies in the maintenance, repair, overhaul and project (MROP) spectrum across a diverse range of industries, our solutions are designed to manage your business-critical assets with agility by extending asset life and reducing maintenance costs.

From product to solution

We go beyond the mere supply of products to offer you fully-integrated solutions that cover the entire spectrum of your asset life. From fulfilling your mechanical component requirements to consulting, engineering, industry-specialised services and training, we deliver lasting results.

Our Solutions And Services

Reliability Optimisation Consulting

In today's asset-intensive industries, quick response is crucial to minimise downtime. Near-perfect reliability is critical to reduce maintenance costs, unplanned outages and revenue loss.

SLS Pro offers fully-integrated solutions and specialised services to optimise the reliability of your assets. Our team of experienced engineers and technical professionals will work closely with your maintenance team to analyse your critical processes and equipment needs. Using professional methodology and proper tools to conduct reliability and condition monitoring of machines, we can implement solutions to regularly monitor your operational assets, enhance efficiency and prevent unwarranted breakdowns.

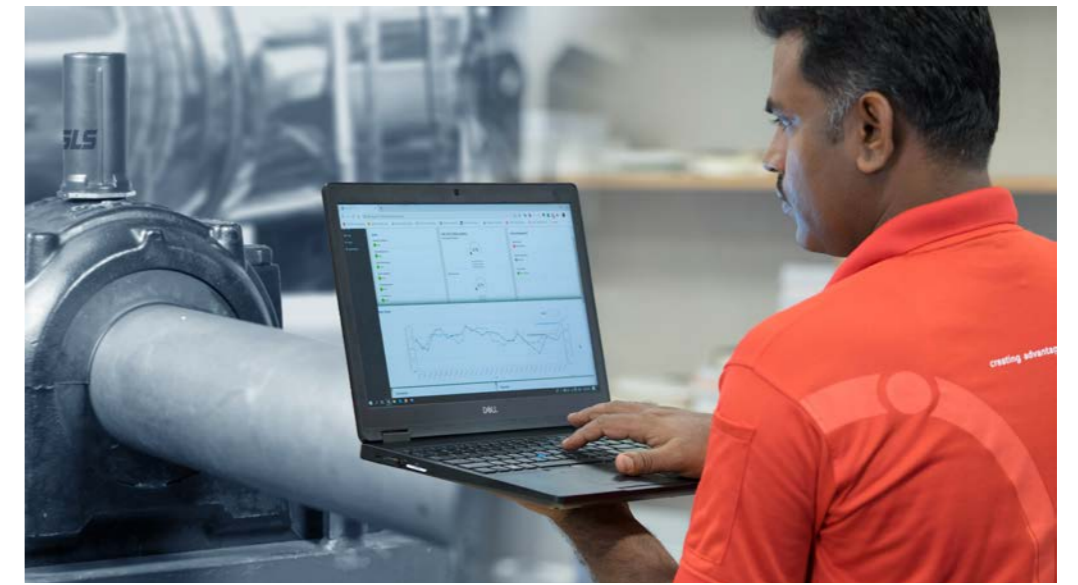
How we can help

- Equipment mapping
- Engineering support
- Root cause failure analysis
- Inventory optimisation
- Inventory rationalisation
- Machine analysis and condition reports
- Training for maintenance professionals
- On-site maintenance and overhaul services
- Re-engineering for short-life cycle and obsolete parts
- Consultation on bearing-related selection and tolerances
- Recommendations on proactive measures to increase machine life
- Machine installation using proper tools, equipment and procedures
- On-site advisory and diagnostics to ensure that correct procedures are practised



Benefits

- Maximises asset efficiency
- Reduces unplanned downtime
- Creates a safer working environment
- Enhances productivity and product quality
- Reduces overall maintenance and labour costs
- Minimises lead time for special or obsolete parts
- Reduces production downtime and increases equipment uptime
- Transfer of product knowledge, as well as installation and maintenance skills
- Allows time to source for cost-effective parts with higher-grade materials, designs and features
- Minimises excess inventory, avoiding ownership cost of rarely-used tools and equipment
- Optimises machine performance, prolongs machine life and minimises premature failure of machines



Maintenance And Technical Services

Industries heavily laden with rotating machinery assets usually incorporate either complex production lines or standalone operational units. If they depend on a Run-to-Failure maintenance strategy, this could lead to cost overruns, extended downtime and consequential damages.

At SLS Pro, our Predictive, Preventive and Maintenance services are designed to track the health of your assets and anticipate problems before they occur. We have a comprehensive maintenance programme to monitor the key performance indicators of your equipment and assets. Through regular maintenance that is scheduled according to usage or time-based triggers, you can prevent unplanned breakdowns or equipment failures.

How we can help

- Gearbox repair
- Laser alignment
- Dynamic balancing
- Conveyor belt splicing
- Belt drive optimisation
- Training and seminars
- Shutdown consultancy
- Conveyor pulley lagging
- Lubrication management
- Thermography inspection
- Vibration measurement services
- Bearing mounting and dismounting
- Wireless sensor condition monitoring
- Predictive maintenance of electric motors

Benefits

- Reduces total cost of ownership
- Reduces planned and unplanned downtime
- Technical support system for your workforce
- Extends asset life and mitigates additional damage
- Reduces maintenance costs and overall cost of operations

Our Solutions And Services

Training

SLS Academy, our training arm, is set up to transfer and share know-how, skills and experience through workshops, seminars and conferences. We collaborate with our business partners to co-develop programmes which include a mix of theory sessions, practical demonstrations and hands-on experiential learning.

SLS Academy aims to equip participants with strong technical and engineering competencies in best-practice maintenance, reliability optimisation and trouble-shooting. Training can be conducted in-house, at our customers' premises or other hired venues.

Who this is for

Our training programmes are designed for our customers and employees. They are suitable for:

- Maintenance staff, technicians, engineers
- Fitters and maintenance supervisors
- Reliability engineers
- Rotating equipment engineers

Coverage

- Standard syllabus for general industrial applications
- Customised hands-on practical classes, tailored to specific requirements of heavy industries such as marine and shipyard, cement, pulp and paper, mining, quarry, steel mills and more
- Basic-to-advanced level courses, including practical case studies for in-depth comprehension

Learning outcomes and benefits

- Develop an understanding of the proper handling of bearings and mechanical components
- Learn how to plan scheduled downtime in advance, undertake regular maintenance and prevent unforeseen machine failures
- Benefits include cost-savings, avoidance of prolonged breakdown of machines and a reduced need for urgent replacement of essential parts

SLS ACADEMY

an institute of higher learning
... creating tomorrow's leaders



Our Products

Established Partnerships with Major Brands Worldwide

You need assurance that you can get what you need at the right time and the right price with minimum downtime. We can offer the selection, speed and accuracy you need. That is why we only work with brands that embody quality and reliability. For over 50 years, we have grown together with the brands that we represent. The products we carry are used in a wide spectrum

of industrial applications spanning a diverse range of industries. You can rely on us to find you the right product or replacement. With our brand knowledge and extensive range of products, we can help you plan your inventory needs so you can optimise your operations, save costs, minimise storage space and avoid carrying redundant spare parts.

SKF



Timken



Schaeffler



NIS Bearings



Enerpac



Optibelt



Rexnord



Martin



Regal Beloit



ATS



NOK



Our Products

Wide Product Range

We carry a comprehensive range of premium quality products. With our inventory strategically-positioned in locations near you, we are able to fulfil your orders quickly at all times, thus reducing downtime cost. Backed by an efficient warehousing and logistics management system, we provide efficient and accurate delivery to meet your needs.

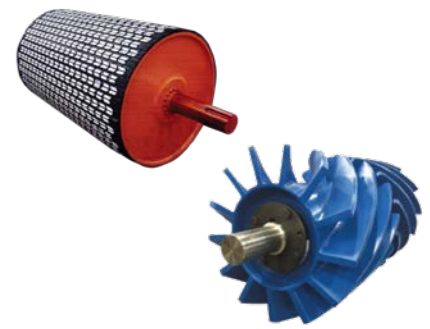


Bearings and Accessories

- Adaptor Sleeves
- Bearings
- Bearings Units
- Housings
- Hydraulic Nuts
- Slewing Rings
- Withdrawal Sleeves

- Drum Pulleys
- Modular Plastic Belts
- Rollers
- Rubber Conveyor Belts
- Steel Cord Conveyor Belts
- Table Top Chains

Conveyor Belts and Chains



Belts and Pulleys

- Automotive Ribbed Belts, Fan Belts, Timing Belts and Kits
- Ribbed Belts
- Rubber and Polyurethane Timing Belt-Backings, Coatings and Attachments
- Special Pulleys and Taper Lock Bushes
- V-Belts and Kraftbands

- Cylinder and Lifting Products
- EVO Systems (Synchronous Lifting)
- Hydraulic Gantries and Strand Jacks
- Industrial and Bolting Tools
- Pumps, Presses and Pullers
- Skidding Systems

Hydraulics



Cam Clutches

- Backstops
- Indexing
- Over Running Clutches

- Linear Actuators
- Linear Motion Guides for High Precision and Rigidity
- Linear Bushings

Linear Motion



Chains and Sprockets

- Chain Accessories
- Chain Cutting Tools
- Conveyor Chains
- Drive Chains
- Heavy Duty Drive Chains
- Leaf Chains
- Lube Free Chains
- Transmission Chains
- Top Chains
- Sprockets

- Manual Lubrication Tools and Accessories
- Automatic Lubrication Systems

Lubricants



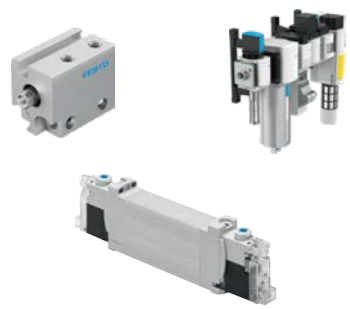
Couplings

- Chain Couplings
- Composite Couplings
- Elastomeric Couplings
- Disc Couplings
- Fluid Couplings
- Gear Couplings
- Grid Couplings
- Long Term Grease
- Pins and Bushes

- Dynamic Motor Monitoring
- Static Motor Analysis

Predictive/Condition Monitoring of Motors





Pneumatics

- Compressed Air Preparation
- Pneumatic connection Technology
- Pneumatic Drives
- Sensors
- Valves



Sealing Solutions

- Oil Seals
- O-Rings
- Mechanical Face Seals
- Gasket Sheets
- Sealants
- Adhesives



Shaft Alignment

- Calipers
- Dial Indicators
- Laser Systems
- Straight Edges



Vibration Condition Monitoring

- Machine Monitoring Systems
- Dual Limit Solid State Vibration Switches



Fasteners

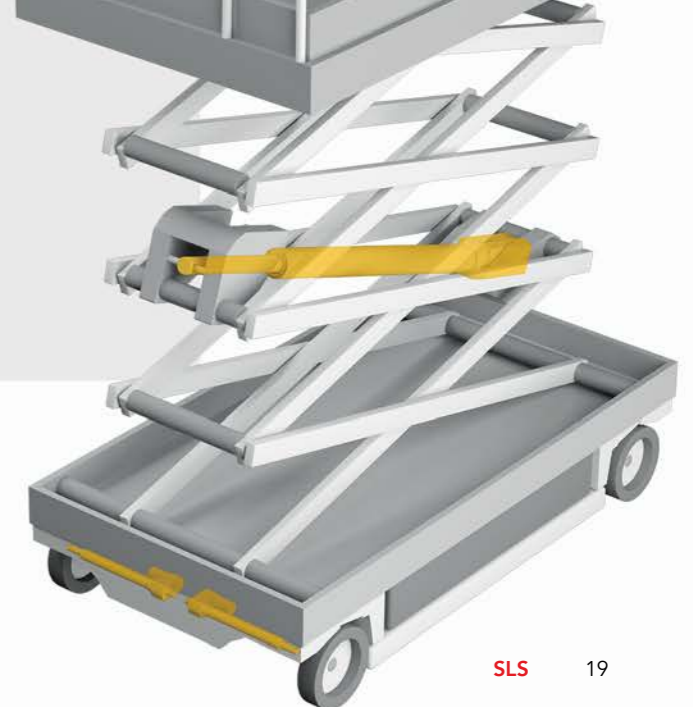
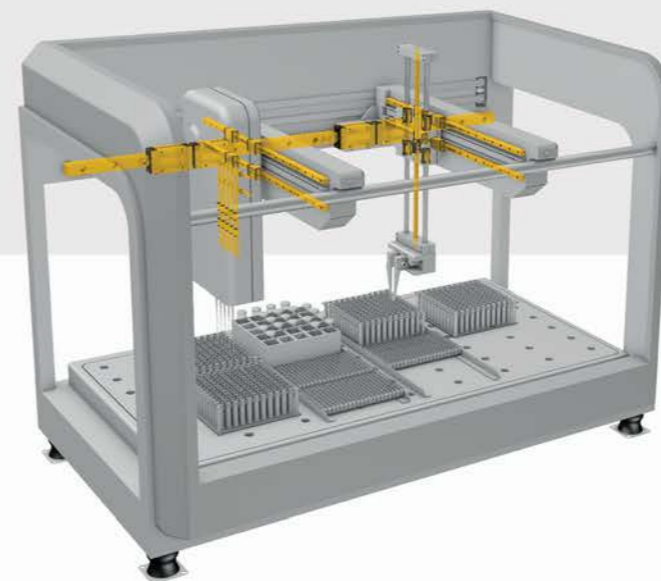
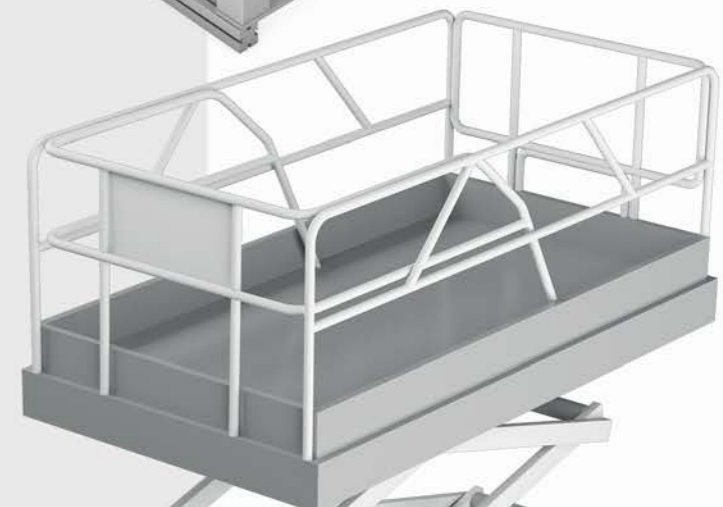
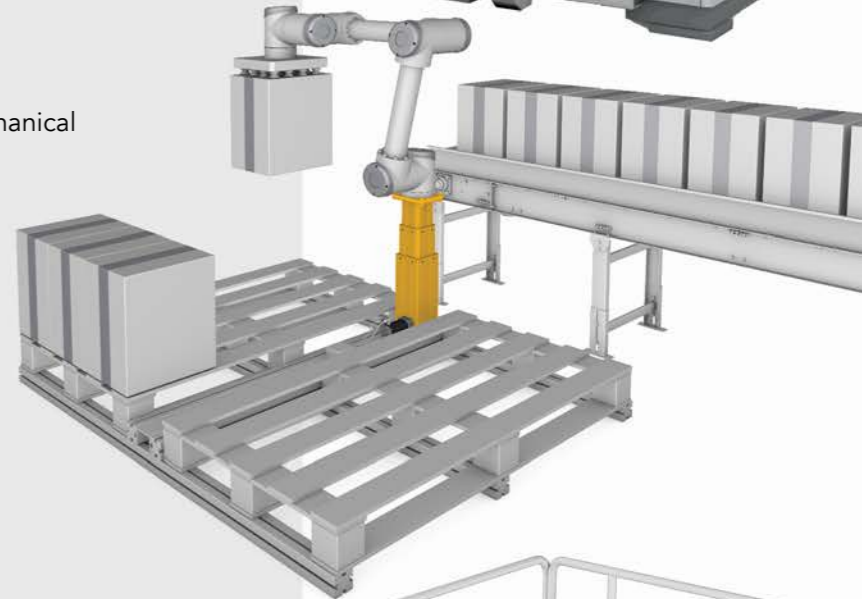
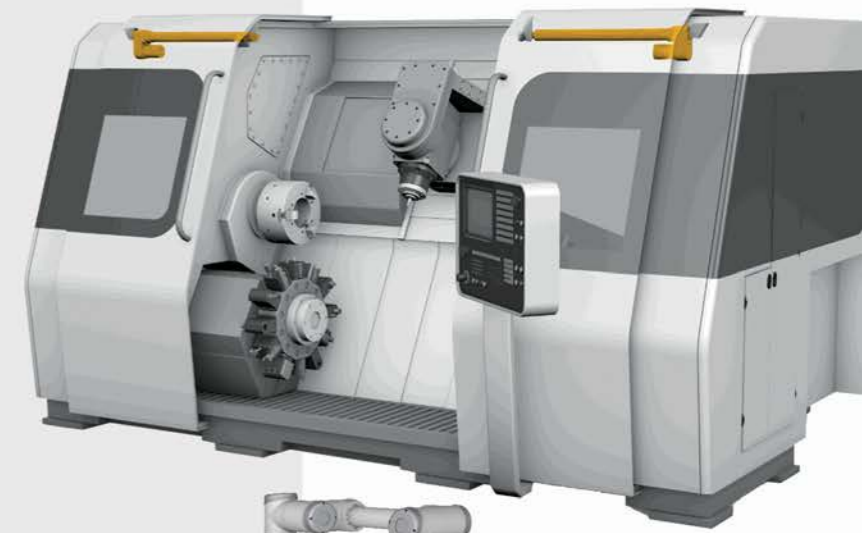
- ASME
- ASTM
- BS
- DIN
- IFI
- ISO
- JIS



Heavy Equipment Parts

- Crankshafts
- Engine Parts
- Filters
- Friction Discs
- Gaskets, Seals and Kits

Linear Motion and Actuation Solutions



Why SLS

Fully Integrated And Specialised Services

We go beyond the mere supply of mechanical components to provide fully integrated solutions to manage the performance of your business-critical assets. Our specialised services allow you to get the most out of your machines and equipment. Through our in-depth technical knowledge and use of proven methodologies, we help you to enhance efficiency and reduce the total cost of ownership.

Dedication To Quality

SLS has attained the Singapore Quality Class (SQC) with People and Service certification for Business Excellence. The SQC with People and Service certification is a national recognition for achieving commendable management practices, commitment towards continuous improvement and sustainable business performance which were validated through a robust assessment based on the internationally benchmarked Business Excellence Framework.

In addition, we were awarded with bizSAFE Level 3 status since 2014 by the Workplace Safety and Health (WSH) Council in Singapore for implementing good work safety and health management systems.

People-Oriented

SLS is people-focused and customer-centric. Our ability to deliver excellent customer service stems from having the right people and processes. Recognising that our core competencies provide SLS with the abilities and agility to respond to the rapid changes. We are committed to ensure our people are sufficiently equipped and engaged to confront challenges. By embedding SLS values and personality within our processes, we are able to inspire innovation and empower decision making. Driven by passion and creativity, our people are committed to deliver great customer experience that Creates Advantage for our customers' business.

Support for the Community

In 2020, SLS Bearings was awarded the NS Mark, a national-level accreditation that recognises employers who support National Service (NS) and Total Defence (TD). We understand our part in Total Defence and are supportive of our staff in managing their National Service commitment and activities. We ensure timely response in the provision of vehicles to mobilisation exercises / operations.



Singapore Team



Mongolia Team



West Malaysia Team



East Malaysia Team

We work, train and grow closely together, as a Team creating advantage for our customers' success



Indonesia Team



China Team



Why SLS

Efficient Logistics Management System



SLS Singapore has invested significantly in a state-of-the-art warehouse management system to boost our logistics capabilities. Our Automated Storage and Retrieval System (ASRS), coupled with a fully-integrated IT system, offers twice the efficiency and increases accuracy to 99.9%, enabling us to provide faster delivery to our customers. We are able to enhance inventory control and tracking, respond quickly to our customers and deliver products within the shortest time possible.



Why SLS

Experience Serving Diversified Industries

Armed with decades of experience, we have developed rich insights into key industries and have a deep understanding of the critical issues facing our customers. This has equipped us with the ability to service customers in a diverse range of industries in the region:

- Agriculture • Aluminium
- Amusement Parks • Automotive Heavy
- Automotive Light • Battery • Bricks
- Building Materials and Equipment
- Cement • Ceramic Tiles • Chemical and Related Manufacturing • Coal Mining • Construction • Dairy
- Defense • Drug Manufacturers
- Electronics • Energy • Engineering Replacement • Feedmills • Fertilizer
- Food and Beverage • Forestry
- Glass Manufacturing • Hospitality
- Lights Manufacturing • Logging
- Locomotive • Machine Tools
- Marine Chandlers • Marine and Shipyards • Metals • Mining
- Oil and Gas • Oil Refining • Oil Rigs
- Original Equipment Manufacturers
- Palm Oil Mills • Petrochemicals
- Petroleum and Gas • Pharmaceutical Manufacturing • Plastics • Project Management • Ports • Poultry
- Power Plants • Printing • Railways
- Refinery Sugar Manufacturing
- Recycling • Repair Workshops
- Robotics • Rubber Gloves • Solar
- SMR Rubber Mills • Paper Mills
- Pulp and Paper • Steel Production
- Space • Textiles • Tins and Cans
- Timber • Tobacco • Toys • Quarry
- Tractors • Water Treatment Plants
- Waste Management



Port



Marine and Shipyards



Mining



Palm Oil

Why SLS

SLS Bearings, Your Trusted Partner



Genuine Product Guarantee

Bearings and other mechanical parts are important components in power plants, vehicles, elevators, hospital equipment, mining equipment, production facilities and many more. Given this, it is important to use only authentic, high-quality mechanical components.

However, there are many counterfeit products currently flooding the market. These low-quality counterfeits are not well-developed or tested for product reliability. Using a counterfeit product could lead to equipment failure, production downtime, property damage, workplace injuries or even legal damages.

SLS is the authorised distributor for all the products that we carry. With all our products sourced directly from our brand principals, you can buy confidently from us because you are guaranteed of purchasing a 100% genuine and authentic product.

In addition, we offer proper installation and maintenance services by our experienced technical staff. They have been officially trained by our brand principals and are constantly up-to-date with the latest product knowledge.

Our Locations

SINGAPORE - HEAD OFFICE

SLS Bearings (S) Pte Ltd
5 Tuas South Street 15, Singapore 636907
Tel: (65) 6515 0515 Fax: (65) 6254 6308
Email: enquiry@slsbearings.com.sg

Central Branch

322 Jalan Besar, Singapore 208980
Tel: (65) 6292 5566 Fax: (65) 6294 1270

North Branch

7 Gambas Crescent #01-37, Singapore 757087
Tel: (65) 6482 7260 Fax: (65) 6257 6144

Central Engineering (Pte) Ltd

(Bolts & Nuts)
113-115 Tyrwhitt Road, Singapore 207545
Tel: (65) 6294 2111 Fax: (65) 6296 5231
Email: sales@centralengineering.com.sg
Website: www.centralengineering.com.sg

Poh Leong Tractors Pte Ltd

432 / 434 Serangoon Road, Singapore 218130
Tel: (65) 6295 4488 Fax: (65) 6299 5896
Email: parts@pohleong.com.sg
Website: www.pohleong.com

WEST MALAYSIA

SLS Bearings (Malaysia) Sdn Bhd

22, Jalan Kilang 51/205, Highway Centre
46050 Petaling Jaya, Selangor
Tel: (603) 7783 3555 Fax: (603) 7781 1299
Email: enquiry@slsbearings.com

SLS Bolts & Nuts (M) Sdn Bhd

11A, Jalan 51/215, 46050 Petaling Jaya, Selangor
Tel: (603) 7788 3555 Fax: (603) 7788 3688
Email: enquiry@slsbnn.com

SLS Bolts & Nuts (M) Sdn Bhd - Klang

127, Jalan Batu 3 Lama, Berkeley New Town Centre,
41300 Klang, Selangor
Tel: (603) 3342 1111 Fax: (603) 3343 8837
Email: enquiry@slsbnn.com

SLS Bearings (Malaysia) Sdn Bhd - Klang

123, Jalan Batu Tiga, Kawasan 16,
Berkeley Town Centre, 41300 Klang, Selangor
Tel: (603) 3344 8333 Fax: (603) 3342 5666
Email: eng.klg@slsbearings.com

SLS Bearings (Malaysia) Sdn Bhd

- Kuala Lumpur
35 & 37, Jalan Sungai Besi, 57100 Kuala Lumpur
Tel: (603) 9221 3444 Fax: (603) 9221 7763
Email: enquiry.kl@slsbearings.com

SLS Bearings (Malaysia) Sdn Bhd

- Seremban
547, Jalan Bandar Senawang 16,
Pusat Bandar Senawang, 70450 Seremban
Negeri Sembilan
Tel: (606) 677 6133 Fax: (606) 677 6131
Email: enq.srb@slsbearings.com

SLS (Johor Bahru) Sdn Bhd

3, Jalan Dewani Kawasan Perindustrian
Temenggong, 81100 Johor Bahru, Johor
Tel: (607) 334 2999 Fax: (607) 334 55676
Email: enq.jb@slsbearings.com

SLS (Johor Bahru) Sdn Bhd - Kluang

1 Jalan Haji Manap Nordin, Taman Kluang Bahru,
86000 Kluang, Johor
Tel: (607) 771 9266 Fax: (607) 771 9166
Email: enq.klu@slsbearings.com

SLS (Johor Bahru) Sdn Bhd - Segamat

7, Jalan Nagasari 15-A, Bandar Segamat Baru
85000 Segamat, Johor
Tel: (607) 943 1888 Fax: (607) 943 1222
Email: enq.sgm@slsbearings.com

SLS (Johor Bahru) Sdn Bhd - Masai

11, Jalan Masai Utama 1, Taman Masai Utama
81750 Masai, Pasir Gudang, Johor
Tel: (607) 252 8999 Fax: (607) 252 0722
Email: enq.mas@slsbearings.com

SLS (Ipoh) Sdn Bhd

22, Medan Bendahara 1, 31650 Ipoh, Perak
Tel: (605) 254 4333 Fax: (605) 255 6255
Email: enq.ip@slsbearings.com

SLS Industries Sdn Bhd - Alor Setar

55 & 56, Lorong Putih 8,
Taman Rakyat Mergong, 05150 Alor Setar, Kedah
Tel: (604) 731 2111 Fax: (604) 731 2666
Email: enq.as@slsbearings.com

SLS Industries Sdn Bhd - Prai

1285, Jalan Baru, Taman Chai Leng,
13700 Prai, Penang
Tel: (604) 390 3888 Fax: (604) 390 9966
Email: enq.prai@slsbearings.com

SLS Kelantan Sdn Bhd

Ground Floor 2678-E, Jalan Kuala Krai,
15150 Kota Bharu, Kelantan
Tel: (609) 744 9555 Fax: (609) 743 1188
Email: enq.kb@slsbearings.com

SLS (Kuantan) Sdn Bhd

B-86 & B-88 Jalan Tun Ismail 1, Sri Dagangan,
25000 Kuantan, Pahang
Tel: (609) 513 1333 Fax: (609) 513 0780
Email: enq.ktn@slsbearings.com

SLS (Malacca) Sdn Bhd

7, Jalan Abadi 1, Taman Malim Jaya
75250 Hang Tuah Jaya, Malacca
Tel: (606) 336 3555 Fax: (606) 336 3550
Email: enq.mk@slsbearings.com

EAST MALAYSIA

SLS (East Malaysia) Sdn Bhd

Lot 39, Kian Yap Industrial Estate Phase 2,
Jalan Durian 1 Miles 5 3/4 Jalan Tuaran,
88450 Inanam, Kota Kinabalu, Sabah
Tel: (6088) 427 999 Fax: (6088) 427 988 / 430 552
Email: slsem@slsbearings.com

SLS (East Malaysia) Sdn Bhd - Bintulu

No 21, Sibiyu Jaya, Jalan Bintulu - Sibiu
97000 Bintulu, Sarawak
Tel: (6086) 313 999 Fax: (6086) 336 566
Email: slsem@slsbearings.com

SLS (East Malaysia) Sdn Bhd - Kuching

Lot 2593-2595, Section 66, Sublot 71-73,
Central World Jalan Merbau Off Jalan Pending,
93450 Kuching, Sarawak
Tel: (6082) 552 999 Fax: (6082) 552 666
Email: slsem@slsbearings.com

SLS (East Malaysia) Sdn Bhd - Lahad Datu

MDLD 1433, Lot 3, Block B, Ground Floor,
Hope Ley Light Industrial Centre, Jalan Dam,
91100 Lahad Datu, Sabah
Tel: (6089) 880 999 Fax: (6089) 888 676
Email: slsem@slsbearings.com

SLS (East Malaysia) Sdn Bhd - Miri

Lot 3339, Premier Industrial Park
Piasau Jaya Industrial Estate, 98000 Miri, Sarawak
Tel: (6085) 664 333 Fax: (6085) 664 222
Email: slsem@slsbearings.com

SLS (East Malaysia) Sdn Bhd - Tawau

TB 6595, Lot 41, Leeka Light Industrial Estate,
Miles 2 3/4, Jalan Apas, 91000 Tawau, Sabah
Tel: (6089) 917 988 Fax: (6089) 912 676
Email: slsem@slsbearings.com

SLS (East Malaysia) Sdn Bhd - Sandakan

Lot 7, Ground & First Floor, Bandar Megah Jaya Mile 7,
Lintas Labuk Road, 90000 Sandakan, Sabah
Tel: (6089) 667 999 Fax: (6089) 667 707
Email: slsem@slsbearings.com

SLS (East Malaysia) Sdn Bhd - Sibiu

No. 16 & 18, Jalan Chengal, 96000 Sibiu, Sarawak
Tel: (6084) 346 999 Fax: (6084) 319 566
Email: slsem@slsbearings.com

INDONESIA

PT. SLS Bearindo - Jakarta

Jl. Cemara No.4 RT/RW. 007/006 Sunter Agung,
Tanjung Priok, Jakarta Utara 14350
Tel: (62 21) 2265 3838 Fax: (62 21) 2265 3836-37
Email: inquiry@slsbearindo.com

PT. SLS Bearindo - Balikpapan

Kompl. CENTRA BIZPARK 2
BALIKPAPAN Blok BRK-15
Jalan Syarifuddin Yoes RT02
Kel. Sepinggan Baru, Kec. Balikpapan
Selatan Kota Balikpapan
Tel: (62 542) 746 262 Fax: (62 542) 746 261
Email: custservice@slsbearindo.com

PT. SLS Bearindo - Cikarang

Komplek Ruko Cikarang Square Blok B No.10
Jl. Raya Cikarang-Cibarusah KM 40
Cikarang Selatan 17550
Tel: (62 21) 2909 4500 Fax: (62 21) 2909 4510
Email: cso1.cikarang@slsbearindo.com

PT. SLS Bearindo - Cilegon

Komplek Ruko Mega Cilegon Blok A/17,
Jl. Sultan Agung Tirtayasa, Cilegon Banten 42431
Tel: (62 254) 399 670 Fax: (62 254) 399 671
Email: cso1.cilegon@slsbearindo.com

PT. SLS Bearindo - Sangatta

Jl. P. Diponegoro No.4D RT.09 Sangatta
Kutai Timur 75611
Tel: (62 549) 2020 170 Fax: (65 549) 2020 181
Email: custservicesgt@slsbearindo.com

PT. SLS Bearindo - Sampit

Jl. HM Arsyad Komplek Jeruk 1
No. 8 Sampit, Kalimantan Tengah
Tel: (62 531) 31288 Fax: (62 531) 31268
Email: slssampit.cso1@slsbearindo.com

PT. SLS Bearindo - Tangerang

Ruko BBC Jatake Blok D No.12
Jl. Gatot Subroto KM.53 Jatiuwung Tangerang
Tel: (62 21) 5566 5678 Fax: (62 21) 5566 6655
Email: cso1.tangerang@slsbearindo.com

CHINA

SLS Bearings (ShenYang) Co., Ltd

No 2-3 Room 804, Furong Tiandi, Shiji Road, Hunnan
District, Shenyang City, Liaoning Province, China
Tel: (86 024) 8852 2660 / 2666 / 2880
Fax: (86 024) 8852 3660
Email: enquiry.sy@slsbearing.com

MONGOLIA

SLS Bearings Mongolia LLC

Bayanbogd Plaza 1st Floor, Ikh Toiruu 18/1 5th Khoroo,
Chingeltei District, Ulaanbaatar Mongolia
PO Box 554, Postcode 15141
Tel: (976) 11 333 593 / (976) 70 117 887
Fax: (976) 70 107 887
Email: enquiry@sismongolia.com

SLS Strategic Network

Allied World Partners,
the best is now in Asia and closer to you



● **Mongolia**
Ulaanbaatar

● **China**
Liaoning, Shenyang

West Malaysia

Selangor, Petaling Jaya
Johor, Johor Bahru
Johor, Kluang
Johor, Masai
Johor, Segamat
Kedah, Alor Setar
Kelantan, Kota Bharu
Kuala Lumpur
Malacca
Negeri Sembilan, Seremban
Pahang, Kuantan
Penang, Prai
Perak, Ipoh
Selangor Klang

Singapore
Headquarters

Indonesia

Jakarta
Balikpapan
Cikarang
Cilegon
Sangatta
Sampit
Tangerang


East Malaysia

Sabah, Kota Kinabalu
Sabah, Lahad Datu
Sabah, Sandakan
Sabah, Tawau
Sarawak, Bintulu
Sarawak, Kuching
Sarawak, Miri
Sarawak, Sibiu




Website:
www.slsbearings.com

Email:
enquiry@slsbearings.com.sg

 blog.slsbearings.com.sg

 youtube.com/slsbearingsgsg

 facebook.com/slsbearings

 sg.linkedin.com/company/sls-bearings-s-pte-ltd